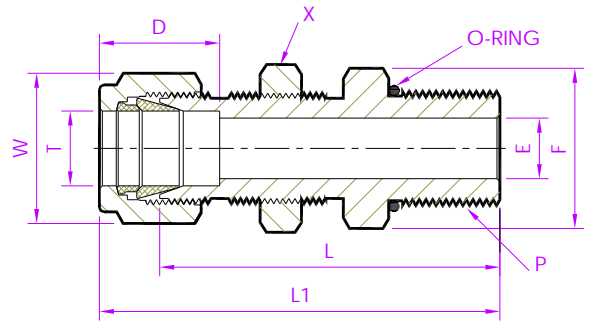


Bulkhead Male Connector



Fractional Tube x SAE/MS Straight (M)

Tubefit Part No.	Equivalent Part No. Type 1	Equivalent Part No. Type 2	TUBE OD Ø T	SAE/MS Male Pipe Size P	ØE	D	L	L1	Body Hex F	Nut Hex W	Panel Nut Hex X
Dimensions in Inches											
4 - BMCD - 6SM	- 400 - 61 - 6ST	4 - 6 AH2LZ	1/4	9/16x18	0.19	0.60	1.45	1.74	3/4	9/16	7/8
6 - BMCD - 6SM	- 600 - 61 - 6ST	6 - 6 AH2LZ	3/8	9/16x18	0.28	0.66	1.52	1.81	3/4	11/16	7/8

- For Lock Nut used 'BUND'.

NOTE: 1)The E Dimension is the minimum opening & Fittings of this group may be back drilling to larger ID at pipe thread or straight thread end.
2)Dimension L1, C, D is shown in the finger-tight position. 3)Dimensions are for reference only and are subject to change 4)SAE/MS (UNF) thread as per ASME B1.1.
- ALL PART NUMBERS ARE PROPRIETARY OF THEIR RESPECTIVE OWNERS. -